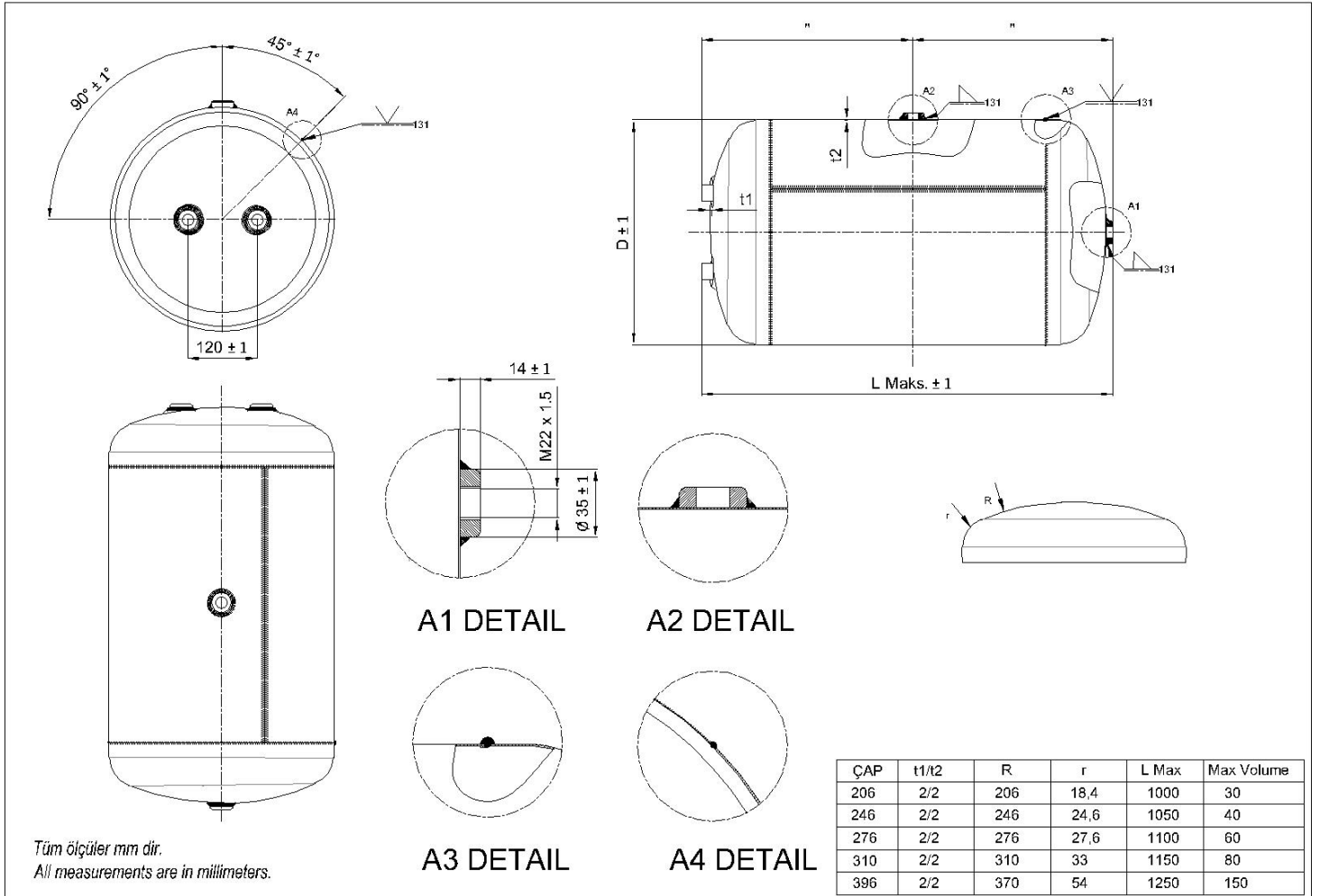


STEEL AIR RESERVIOR TANK SOLO

Material used production
Tube : S235J
Cab : HRP 6222
Nozzle : DIN 1040
pS : 10,6 Bar

Paint : Black color
Electrostatics paint
Painted both inside and outside



STEEL AIR RESERVIOR TANK WITH BRACKETS

Material used production

Tube : S235J

Cab : HRP 6222

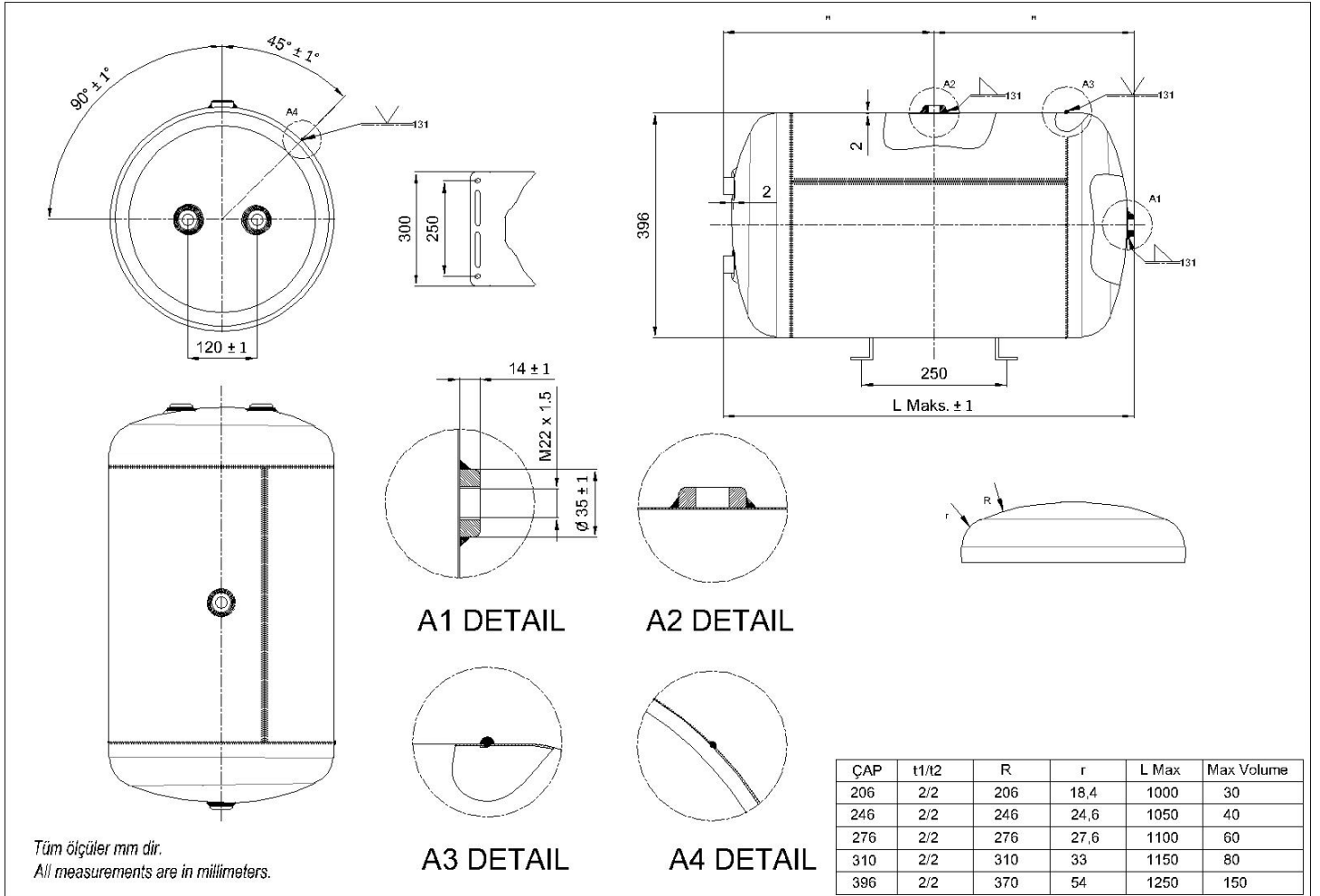
Nozzle : DIN 1040

pS : 10,6 Bar

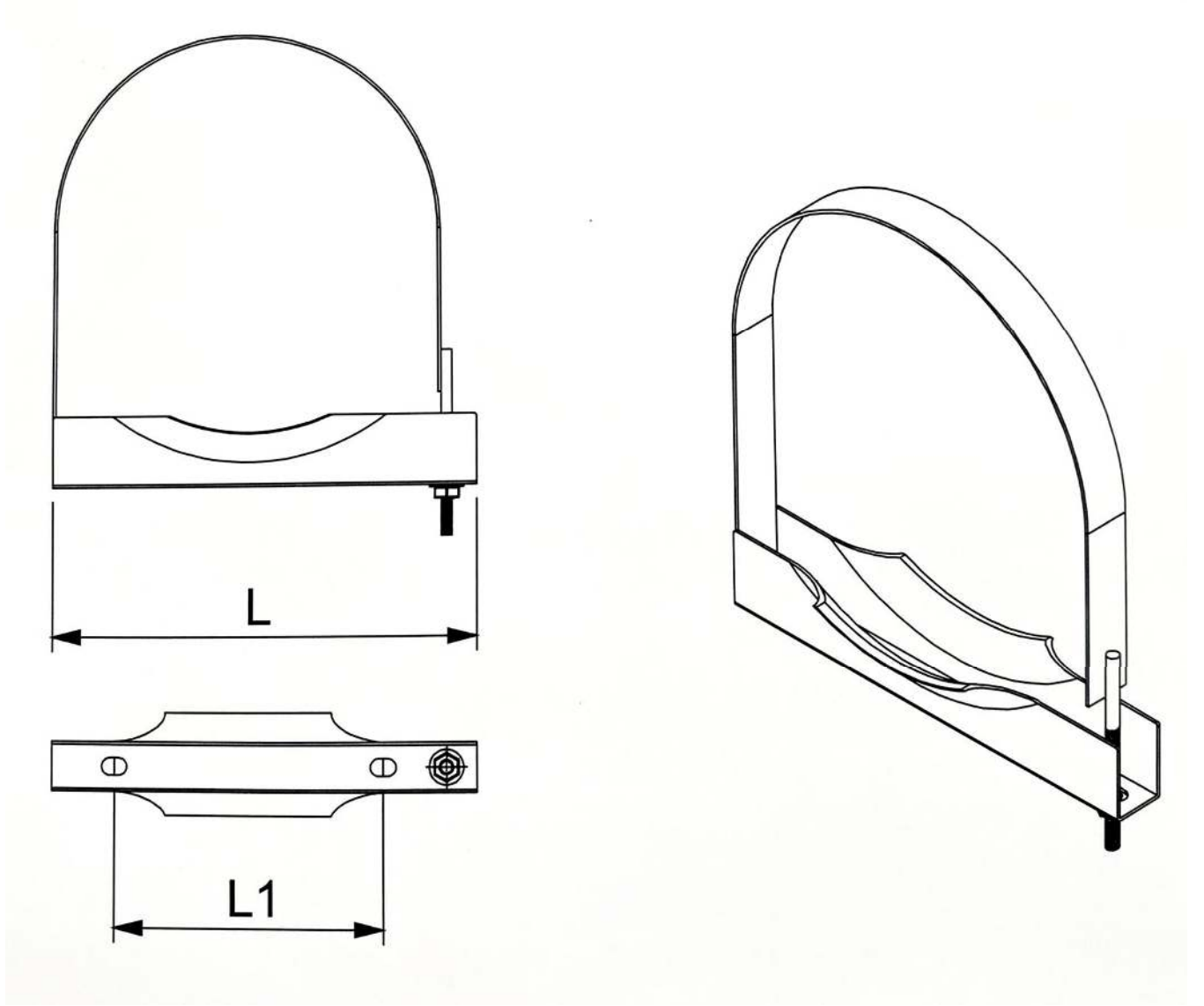
Paint : Black color

Electrostatics paint

Painted both inside and outside



STRIPES



Part No	Ø (mm)	L (mm)	L1(mm)
MYD-206-S	206	220	110
MYD-246-S	246	265	155
MYD-276-S	276	300	190
MYD-310-S	310	330	220
MYD-396-S	396	420	310